

SERVER

• E S S E N T I A L S •

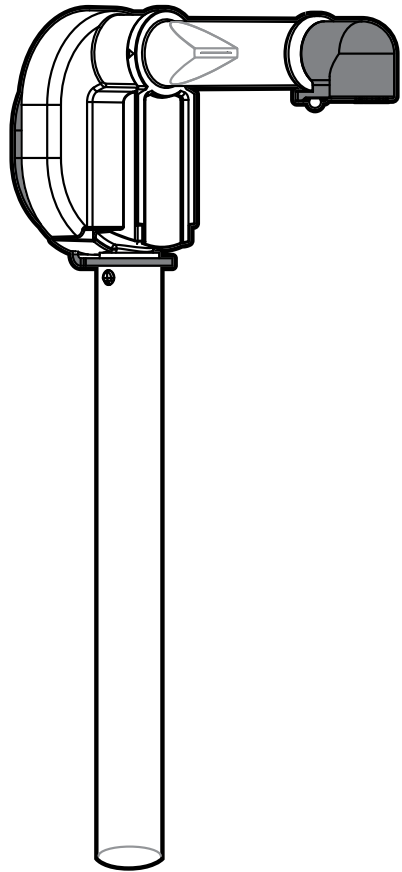
Server Express® Pumps

MODELS

100265

100256

100239



Thank You

for purchasing our Server Express® Pump. This durable plastic pump is NSF-listed and ADA compliant— requires less than 5 lbs of pressure to dispense.

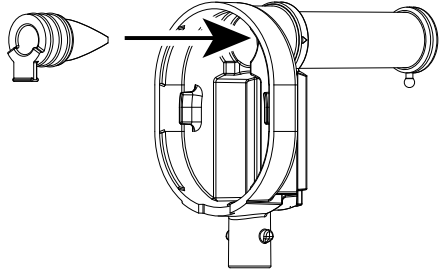
SIMPLIFY CONDIMENT MANAGEMENT— GO EXPRESS

ASSEMBLY

WASH ALL PARTS
PROPERLY BEFORE USE. See page 3.

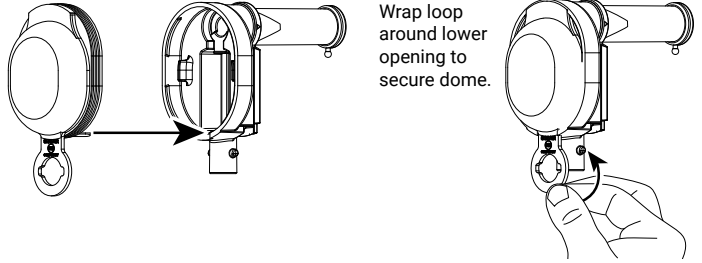
- 1** INSERT PINCH VALVE
into pump housing.

TIP: Squeeze the pinch valve open before installation to ensure it isn't stuck shut.



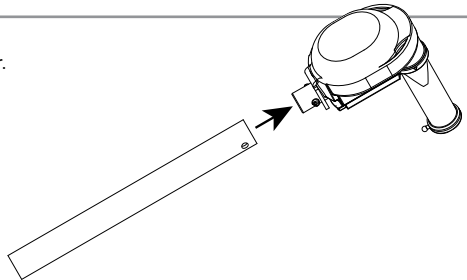
- 2** INSTALL DOME

Press dome into housing fully.
Ensure valve flap covers bottom opening.



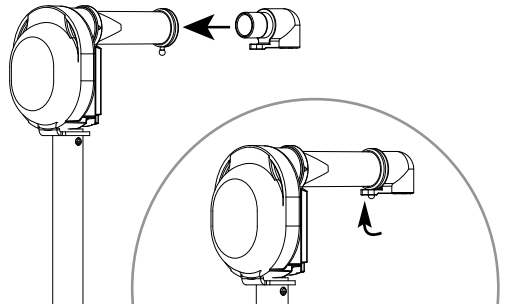
- 3** INSTALL TUBE

Lubricate with a small amount of clean water.
Rotate and position until both pegs on housing fit into holes on tube.



- 4** INSERT DISCHARGE FITTING

into pump housing discharge tube.
Place loop of fitting around end of discharge tube to secure.



SAFETY



According to food and safety regulations, most foods must be stored and/or served at certain temperatures or they could become hazardous. Check with local food and safety regulators for specific guidelines. Server Products, Inc. cannot be responsible for the serving of potentially hazardous product.

IMPORTANT

Clean, rinse, sanitize, and dry parts daily or regularly to comply with local sanitization requirements.

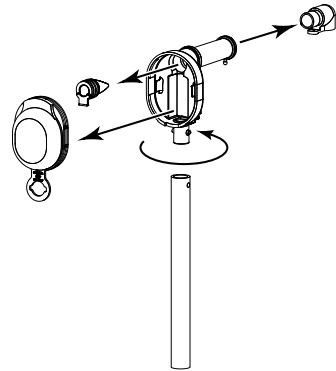
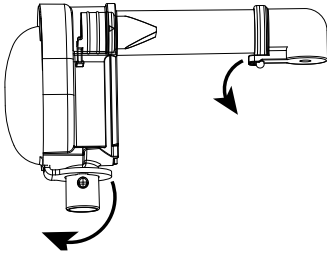


NSF International (National Sanitation Foundation) lists this pump as: "Not acceptable for dispensing potentially hazardous foods."



ADA
compliant

DISASSEMBLY



CLEANING

- 1 FLUSH & RINSE**
all pump surfaces with hot water.
Place lower end of pump into container of hot water and operate pump until all remaining product is expelled and only hot water is discharged.
- 2 DISASSEMBLE & CLEAN**
all washable parts with soap and hot water.
Use brush to clean any confined areas.
- 3 RINSE**
fully with clear water.
- 4 SANITIZE**
all parts according to local sanitization requirements. All parts in contact with food must be sanitized.
- 5 AIR DRY**
all parts fully.



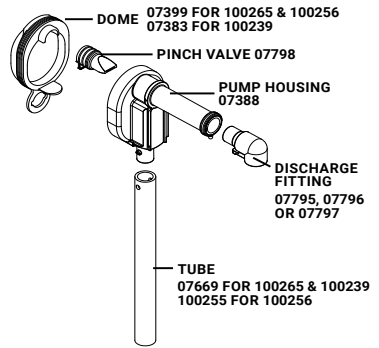
YES!

Use dishwashing soap, hot water and nylon brush

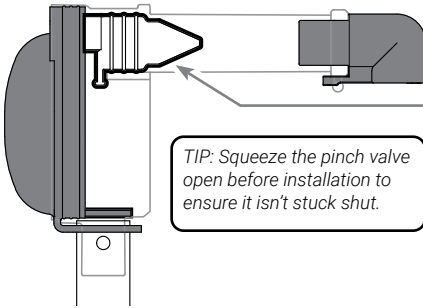
- Dishwasher safe
- Do not use abrasive, caustic or ammonia based cleansers.
- Do not use cleaning agents with high concentrations of acid, alkaline or chlorine.
- Do not use metal scrapers or cleaning pads that could scratch surfaces.

MODELS 100265 - 100256 - 100239

PART	QTY	DESCRIPTION
07399	1	PUMP DOME, BLUE (FOR 100265 & 100256)
07383	1	PUMP DOME, BLACK (FOR 100239)
07798	1	LARGE PINCH VALVE
07388	1	PUMP HOUSING
07669	1	9½" TUBE (FOR 100265 & 100239)
100255	1	12½" TUBE (FOR 100256)
07795	1	DISCHARGE FITTING, SMALL
07796	1	DISCHARGE FITTING, MEDIUM
07797	1	DISCHARGE FITTING, LARGE



TROUBLESHOOTING



DIFFICULT TO ATTACH PARTS?

- Wet parts with clean water to help fit.

PRODUCT DOESN'T PUMP?

- Ensure pinch valve is inserted in housing.
- Ensure long tube end is submerged in condensate.
- Ensure pump is properly installed in unit.
- Clean pump thoroughly.

DOMES POP OFF?

- Clean thoroughly. Food residue could prevent a tight seal between dome and housing.
- Ensure dome edges are flush with housing.

SERVER PRODUCTS LIMITED WARRANTY

2
YEAR
WARRANTY

This Server product is backed by a two-year limited warranty against defects in materials and workmanship. See Server-Products.com for details.

GENERAL SERVICE, REPAIR OR RETURNS

Before sending any item to Server Products for service, repair, or return, contact Server Products customer service to request a **Return Authorization Number**. Merchandise must be sent to Server Products with this number. Service is extremely prompt. Typically, units are repaired and ship out within 48 hours of receipt.

Merchandise being returned for credit must be in new and unused condition and not more than 90 days old and will be subject to a 20% restocking charge.

NEED HELP?

Server Products Inc.
3601 Pleasant Hill Road
Richfield, WI 53076 USA

Chat with us!

spsales@server-products.com

262.628.5600 | 800.558.8722

Please be prepared with your **Model, P/N** and **Series** located on the lid or base of the unit.

Example:

MODEL XXXX P/N #####		SERIES ##X.##X
-------------------------------	--	-------------------