

SERVER®

• E S S E N T I A L S •

Food Container Pumps Remote Pouched Dispensing Systems

SPECIFICATION SHEET

FAST FACTS

Server Remote Dispensing Systems adapt to both 1.5 gal Cryovac™ pouches with 16 mm fitments and 3 gal Vol-Pak® bag-in-box with 38 mm fitments, eliminating the danger of changing bulky CO₂ canisters while stainless steel pumps dispense a 1 oz max portion, adjustable in 1/8 ounce increments.

APPLICATIONS

- Perfect for schools, stadiums and quick-service restaurants where having a large amount of condiments or dressings on tap is important
- Operations looking to speed transaction time; manually operated system can move condiments outside of point-of-purchase – no electricity or CO₂ needed

DETAILS

- Manually operated system eliminates hassles associated with CO₂-driven dispensers like squirting and slow discharge when tank runs low
- Stainless steel pump serves a 1 oz portion; reduce in 1/8 oz increments to quickly fill soufflé cups
- Pouch support accepts both 1 1/2 gallon 16 mm fitment and 3 gallon 38 mm connector pouch styles
- The Quick Connect System works with both pouch styles and makes changeouts easy and mess-free
- NSF listed, clean-in-place certified; also disassembles completely for dish station cleaning
- Colored and engraved knobs identify condiments. Black is standard

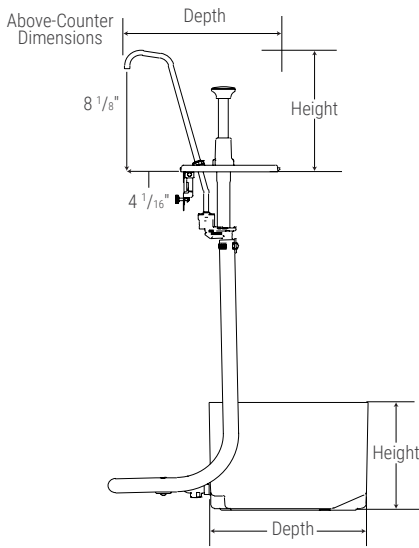


Large capacity. Low profile.

SEE TABLE FOR APPLICABLE TRAITS BY MODEL	
DISPENSES KEY	THIN fountain syrups • oils • hot sauce
	THICK ketchup • mustard • mayo • bbq
	THICKER tartar sauce • crafted sauces
APP KEY	AMBIENT COLD HOT

REMOTE DISPENSING SYSTEM MODELS: CP-RP

Server model CP-RP Remote Dispensing System utilizes a manually operated stainless steel pump with modified cast valve to draw from a 1 1/2 gallon pouch with 16 mm fitment or 3 gallon pouch with 38 mm connector of condiments or dressings held in a pouch support below. Pump dispenses 1 oz per stroke, adjusts in 1/8 oz increments. Colored, engraved knob available upon request; black knob is standard. System installs into countertops up to 1 3/4" thick. BPA Free, NSF listed, clean-in-place certified. Two-year warranty.



order amt	dispenses	model/item	application	description	capacity	dimensions H x W x D	dimensions H x W x D (above counter)	dimensions H x W x D (pouch support)	weight	hose length
<input type="checkbox"/>		CP-RP 85783		single system	(1) 1 1/2 gal pouch with 16 mm fitment or (1) 3 gal pouch with 38 mm connector	12 3/4" x 4 1/2" x 19 5/16"	9 9/16" x 4 1/2" x 11 3/8"	8 1/2" x 9 1/4" x 11 9/16"	9 lb	36"

RELATED PRODUCTS

EXTREME™ DISPENSERS

Server Extreme™ dispensers dispense portion-controlled condiments from bag-in-box or Vol-Pak® packaging using an adjustable, ADA compliant lever. The unit streamlines high-volume operations without the hassle of a CO₂ system and increases speed of service by creating a self-serve station away from the point-of-purchase.



Extreme™ Condiment Dispenser
[07500](#)

DISPENSE MORE WITH LARGE CAPACITY, LOW PROFILE REMOTE DISPENSING SYSTEMS
SERVER-PRODUCTS.COM | 800.558.8722 | 262.628.5600